



TH330B

Telehandler



SPECIFICATIONS

Engine

Engine Model	Cat® 3054E
Gross Power	
Standard	74.5 kW/101.3 hp
Optional	92 kW/125 hp
Net Power	
Standard	71.8 kW/97.6 hp
Optional, Standard fan	89.2 kW/121.3 hp
Optional, Reversible fan	87 kW/118.3 hp
Maximum Torque	
Standard	410 Nm
Optional	450 Nm
Bore	105 mm
Stroke	127 mm
Displacement	4.4 liter

- All engine horsepower (hp) are metric.
- Engine meets EU directive 97/68/EC Stage II emission requirements.
- Maximum net power shown is the power available at the flywheel when the engine is equipped with fan, aircleaner, muffler and alternator.
- Maximum torque shown is at 1400 rpm.

Weights

Operating Weight	7200 kg
------------------	---------

Operating Specifications

Rated Load Capacity	3600 kg
Maximum Lift Height	7200 mm
Maximum Forward Reach	3820 mm
Top Travel Speed	40 km/h
Load at Max Height	2000 kg
Load at Max Reach	1250 kg

Hydraulic System

Maximum System Pressure	250 bar
Maximum Pump Flow	113 liter/min
Pump Type	Variable Displacement Load Sensing Axial Piston Pump
Auxiliary hydraulic supply	
Intermittent	90 liter/min
Continuous	60 liter/min

Service Refill Capacities

	liter
Fuel Tank	115
Hydraulic Tank	60

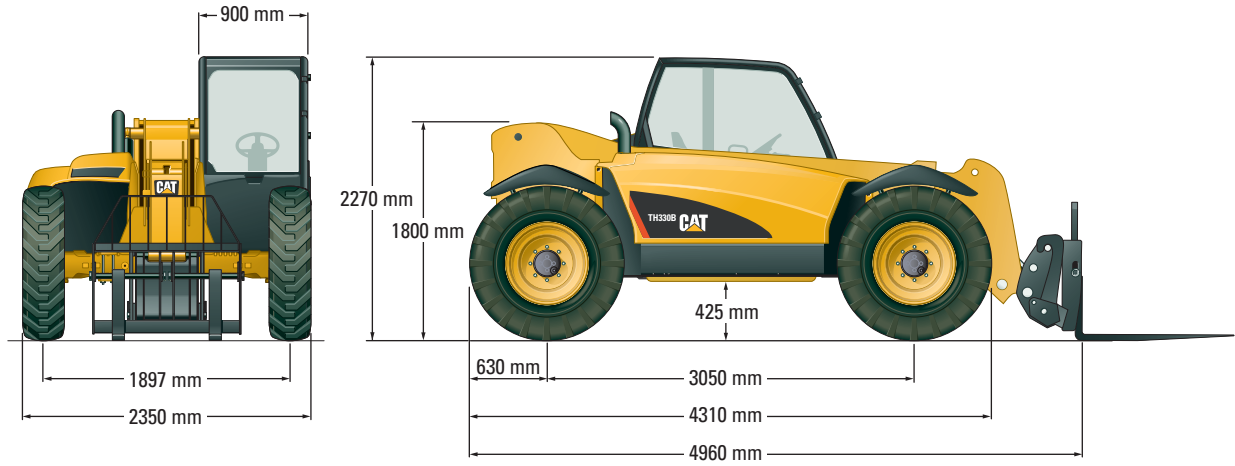
Transmission Speeds

Forward	km/h
1	7
2	13
3	22
4	34
5	40
Reverse	
1	7
2	13
3	22

Boom Performance

	seconds
Boom Up	5
Boom Down	4
Tele In	6
Tele Out	7
Crowd Forward (dump)	3
Crowd Backward	3
Combined	
Up and Out	11
Down and In	6

Dimensions



Load Chart

